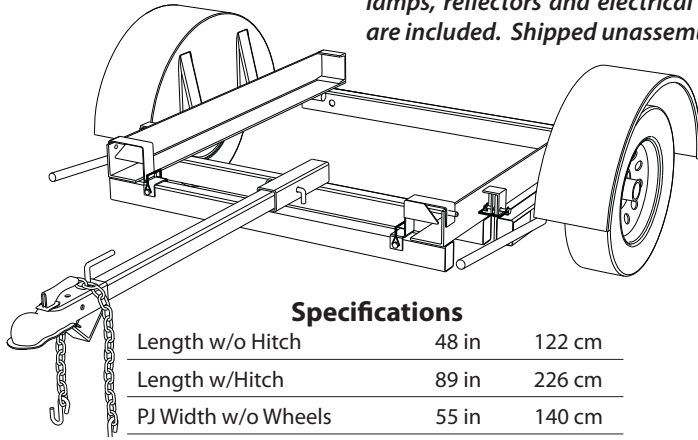




# Single Trailer Chassis TU01-1000 / TU01-1001 Technical Information

## General Overview

The PJ Single Trailer - TU01-1000 and the Fleet Single Trailer - TU01-1001 are equipped with a drop axle and removable tongue, which are both galvanized after fabrication to minimize rust. Tail lamps, reflectors and electrical hookup are included. Shipped unassembled.



## Specifications

Length w/o Hitch	48 in	122 cm
Length w/Hitch	89 in	226 cm
PJ Width w/o Wheels	55 in	140 cm
PJ Width w/ Wheels	68.5 in	174 cm
Fleet Width w/o Wheels	58.75 in	149 cm
Fleet Width w/ Wheels	72.25 in	184 cm
Height w/o Wheels	7.5 in	19 cm
Height w/ Wheels	25 in	64 cm
Weight w/o Unit	263 lb	119 kg
Ball Size	2 in	5.08 cm
GVWR/GAWR	900 lbs	408 kg

## Assembly Instructions

**Step 1:** Remove the cotter pin from the 5/8" hitch pin and pull the wires out of the tongue assembly mount.

**Step 2:** Insert the tongue assembly into the tongue assembly mount. Line up the holes and insert the hitch pin and secure in place with the cotter pin.

### Left Wheel Assembly to Trailer Chassis:

**Step 3:** Pull up the ring of the round lynch pin and remove from the left side axle (making sure to leave the PC-000124 flat washer on the axle).

**Step 4:** Insert the 1-1/4" tube (located on the arm of the left wheel assembly) onto the left side axle. Reinsert the lynch pin into the hole of the axle and push the ring down to secure.

**Repeat Steps 3 & 4 for the Right Side Wheel Assembly to the Trailer Chassis. The unit may now be loaded onto the trailer (follow the instructions below).**

**Step 5:** Remove the D Clip from the left side of the chassis. Pull the arm of the wheel assembly down and out clearing the hold down clip. While pushing against the chassis, pull the arm up and insert the flat bar of the wheel assembly up into the slot of the armlock (lining up the hole of the flat bar with the one in the armlock). Insert the D clip through the holes securing in place.

**Repeat Step 5 for the Right Side Wheel Assembly to the Trailer Chassis.**

### Loading Unit onto Chassis:

**It is recommended to load the unit facing towards the front of the vehicle when trailering.**

#### For PJ Single Trailer:

Remove the D clips from the left and right side hold-down brackets in the front of the chassis. Remove both hold-down brackets. Slide the unit onto the chassis (making sure to push to the end so it fits underneath the rear hold-down brackets). Reinsert both hold-down brackets and D clips securing in place.

#### For Fleet Single Trailer:

Remove the bolts, washers and nuts from the hold down brackets. Slide the unit onto the chassis. Reinsert and tighten the bolts, washers and nuts.

**Please reference your vehicle's "Owners Manual" for guidelines on proper towing connections.**

## MISSION STATEMENT

"PolyJohn is a family owned, state of the art, plastics manufacturing company dedicated to providing its employees with a work environment committed to excellence, and its customers with innovative products, services and technology that meet or exceed their requirements."

## THANK YOU FOR PURCHASING POLYJOHN PRODUCTS!

Look for us on the Web @ [www.PolyJohn.com](http://www.PolyJohn.com)

TU01-100\* Single Trailer  
September 2008  
Page 2 of 2

### POLYJOHN USA

PolyJohn Enterprises Corp  
2500 Gaspar Ave.  
Whiting, IN 46394  
Phone: 800-292-1305  
Fax: 219-659-0625  
[www.polyjohn.com](http://www.polyjohn.com)  
[info@polyjohn.com](mailto:info@polyjohn.com)

### POLYJOHN WORLDWIDE

PolyJohn (UK) Ltd.  
Equinox 1 Audby Lane  
Wetherby, England LS22 7RD  
Phone: 44 (0) 1937-583333  
Fax: 44 (0) 1937-583322  
[sales@polyjohn.co.uk](mailto:sales@polyjohn.co.uk)

TU01-100\* Single Trailer  
September 2008  
Page 1 of 2

### POLYJOHN CANADA

PolyJohn Canada  
P.O. Box 2300  
199 Forest Plain Rd.  
Orillia, Ontario LV3 6S2  
Phone: 800-465-9590  
Fax: 705-325-8250  
[info@polyjohncanada.ca](mailto:info@polyjohncanada.ca)