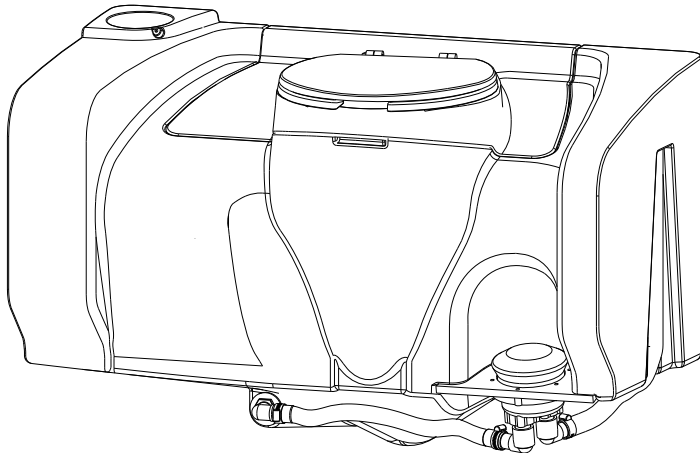




FT02-1000 Recirculating Flush System Technical Information

SPECIFICATIONS

Dimension	Imperial	Metric
Height	24.5 in	62 cm
Length	41 in	104 cm
Depth	24 in	61 cm
Weight - Empty	37 lb	16.65 kg
Tank Capacity	35 gal	132 ltr
Pump Capacity (per stroke)	8 oz	236 ml



We recommend reading through the entire booklet prior to proceeding with the installation, service or maintenance. All references to the right and left throughout this guide are as viewed from the front of the restroom.

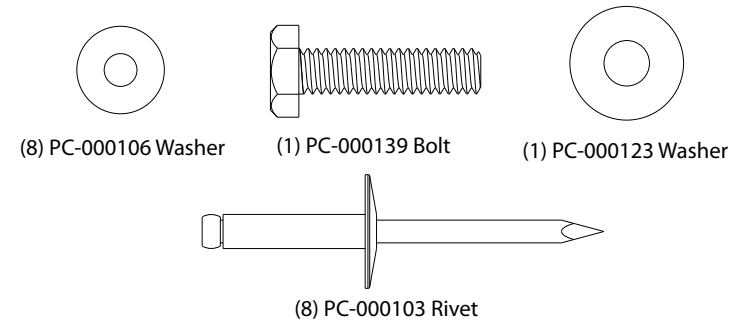
General Product Overview

This re-circulating flush system is designed specifically for the PJN3 model portable restroom. It has an aesthetically contoured waste holding tank with a sloped top to drain away fluid and an integrally molded seat base and bowl to provide a strong "swirlpool" flush. The large hinged lid with a built-in pop rod acts as an access port for service and maintenance. **NOTE: We discourage pumping through the flapper valve as damage may result.**

~~Tools Required~~

- Rivet Gun
- Drill with 13/64" bit
- 7/16" Socket wrench
- Screwdriver
- 1-1/8" Hole saw (if sink is used)
- Tape measure (if sink is used)
- 2-5/16" Hole saw (if urinal is used)

Full Size Scale Fasteners



POLYJOHN USA

PolyJohn Enterprises Corp
2500 Gaspar Ave.
Whiting, IN 46394
Phone: 800-292-1305
Fax: 219-659-0625
www.polyjohn.com
info@polyjohn.com

POLYJOHN WORLDWIDE

PolyJohn (UK) Ltd.
Equinox 1 Audby Lane
Wetherby, England LS22 7RD
Phone: 44 (0) 1937-583333
Fax: 44 (0) 1937-583322
sales@polyjohn.co.uk

POLYJOHN CANADA

PolyJohn Canada
P.O. Box 2300
199 Forest Plain Rd.
Orillia, Ontario LV3 6S2
Phone: 800-465-9590
Fax: 705-325-8250
info@polyjohncanada.ca

Waste Tank Installation: For shipping purposes, the pump is fastened under the lid with the necessary parts for final assembly and installation. Use a 7/16" socket wrench to remove the pump from the lid.

Attach it to its proper location as illustrated in the exploded view, and attach hoses with #12 hose clamps. The CH100-050 hose connects to the out port on the pump. The CH100-0165 hose connects to the in port on the pump. Attach the toilet seat to the tank.

Position the tank so that it is centered between the side panels and pushed up to the floor plate. There are drill spots on each of the wall panels. Push the wall panels in flat against the tank and drill (8) 13/64" holes through the specified drill spots and through the wall of the tank. **CAUTION: DRILL ONLY THROUGH THE OUTER WALL OF THE TANK. DO NOT DRILL THROUGH THE INSIDE TOP SURFACES OF THE TANK.** On the outside of the restroom rivet the tank in place using (8) PC-000103 rivets, while another person inside the restroom places PC-000106 back-up washers on the rivet stems on the inside of the tank.

